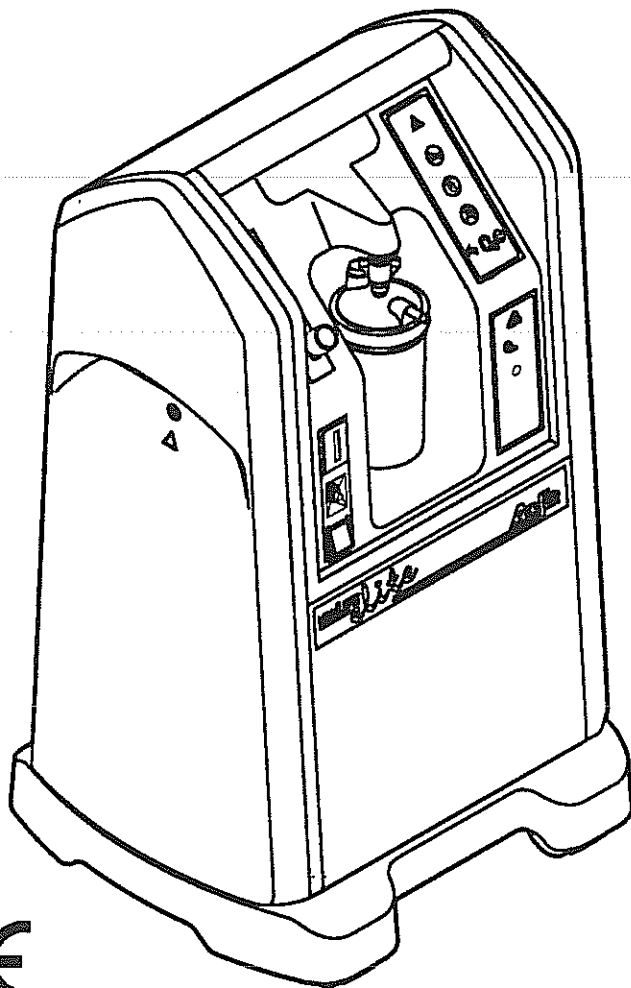


# **NEWLIFE<sup>®</sup>** *elite*

**NewLife<sup>®</sup> Elite / NewLife<sup>®</sup>  
Oxygen Concentrator  
Service Manual**



**CE**

0459

**AIRSEP<sup>®</sup>**

AirSep Corporation • 401 Creekside Drive • Buffalo, NY 14228-2085 USA

Telephone: (716) 691-0202 • 24-Hour Fax: (716) 691-4141

---

Expedited Product Warranty Check service is always at your fingertips with AirSep:

Type [www.airsep.info/warranty\\_check/main.asp](http://www.airsep.info/warranty_check/main.asp)

OR

In the US or Canada,  
dial 866-873-9277

---

AirSep® is a registered trademark of AirSep Corporation.



NewLife® Elite and NewLife® are registered trademarks of AirSep Corporation.

# Table of Contents

---

## Section 1.0

### Introduction

1.1	Equipment Provider Responsibility	1-1
1.2	Important Notice and Symbol Explanations	1-2
1.3	NewLife® Elite/NewLife® Product Warranty	1-4
1.4	Functional Specifications	1-5

---

## Section 2.0

### Operation Check and Oxygen Concentration Test

2.1	Description of Operation	2-1
2.2	Operation Check	2-1
2.3	Alarm System	2-2
	2.3.1 Battery Test	2-2
	2.3.2 Power Failure Alarm Test	2-2
2.4	Oxygen Concentration Test and Specification	2-3

---

## Section 3.0

### Patient Instructions

3.1	General Instructions	3-1
3.2	Routine Maintenance by the Patient	3-1
	3.2.1 Cleaning the Air Intake Gross Particle Filter	3-1
	3.2.2 Checking the Alarm System Battery	3-2

---

## Section 4.0

### Equipment Provider Maintenance

4.1	Routine Maintenance	4-1
	4.1.1 Air Intake Gross Particle Filter/GPF	4-1
	4.1.2 Product Filter Replacement	4-1
	4.1.3 Optional Filter Replacement	4-2
	4.1.4 Battery Replacement	4-2
	4.1.5 Recording Maintenance	4-3
4.2	Cleaning and Infection Control	4-3
	4.2.1 Preparing for New Patient Use	4-4

---

## Section 5.0

### Service

5.1	Components	5-1
5.2	Cabinet Removal	5-1
5.2.1	Removing Side Panel(s)	5-1
5.2.2	Removing Back Panel	5-1
5.2.3	Removing Lower Front Cover	5-1
5.2.4	Removing Control Panel	5-1
5.2.5	Superstructure	5-1
5.2.6	Caster Replacement	5-2
5.3	Compressor	5-2
5.3.1	Compressor Replacement	5-3
5.3.2	Capacitor Replacement	5-4
5.4	Solenoid Valves	5-4
5.4.1	Feed or Waste Valve Rebuilding	5-4
5.4.2	Feed or Waste Valve Reassembly	5-5
5.4.3	Solenoid Valve Coil Replacement	5-5
5.5	Sieve Bed Replacement	5-6
5.5.1	Sieve Bed Removal	5-6
5.5.2	Sieve Bed Installation	5-7
5.6	Cabinet Fan Replacement	5-7
5.7	Circuit Board Replacement	5-8
5.7.1	Circuit Board Removal	5-8
5.7.2	Circuit Board Installation	5-9
5.8	Product Regulator Check and Setting	5-10
5.8.1	Setting Product Regulator for Normal Operation	5-10
5.8.2	Product Regulator Lockout	5-10
5.8.3	Back Pressure Correction at 5 lpm	5-11
5.8.4	Product Regulator Cleaning or Rebuilding	5-12
5.9	High or Low Pressure Switch Replacement (In Equipped Units)	5-13
5.10	Circuit Breaker Replacement	5-14
5.10.1	Circuit Breaker Removal	5-14
5.10.2	Circuit Breaker Installation	5-14
5.11	ON/OFF Power Switch Replacement	5-14
5.11.1	ON/OFF Power Switch Removal	5-14

---

5.11.2	ON/OFF Power Switch Installation	5-15
5.12	Buzzer Replacement	5-15
5.13	Hour Meter Replacement	5-15
5.14	Flowmeter Replacement	5-16
5.14.1	Flowmeter Removal	5-16
5.14.2	Flowmeter Installation	5-16
5.15	Power Cord Replacement	5-16

---

## Section 6.0

### Troubleshooting

6.1	Operating Pressure Test	6-1
6.1.1	High Operating Pressure	6-1
6.1.2	Low Operating Pressure	6-2
6.2	General Troubleshooting	6-2
6.3	Troubleshooting Chart	6-4
6.4	Tool Kit and Pressure Test Gauge	6-7

---

## Appendix

### Exploded Drawings

Figure 1:	Control Panel Assembly	A-1
Figure 2:	Main Structure Assembly	A-2
Figure 3:	Base and Cabinet Components	A-3
Figure 4:	Test Block Assembly	A-4
Figure 5:	Valve Block Assembly	A-5
Figure 6:	Compressor Assembly	A-6
Figure 7:	Adsorption Bed Assembly	A-7

---



## 1.0 Introduction

### 1.1 Equipment Provider Responsibility

All Equipment Providers of the NewLife® Elite/NewLife® Oxygen Concentrator must assume responsibilities for handling, operational check-out, patient instruction, and maintenance. These responsibilities are outlined below and throughout this manual.

#### WARNING

---

NewLife units must not be used for or with any life-supporting applications. Geriatric, pediatric, or any other patients unable to communicate discomfort while using this machine may require additional monitoring. Advise patients to immediately notify their Equipment Providers and/or physicians in case of an alarm or any discomfort.

---

As an Equipment Provider, you must do all of the following:

- Inspect the condition of each NewLife unit immediately upon delivery to your business location. Note any sign of damage, external or internal, on the delivery receipt, and report it directly to both the freight company and AirSep Corporation immediately.
- Check the operation of each NewLife before delivery to a patient. Always operate the unit for a reasonable length of time and check that the oxygen concentration level is within specifications as referred to in Section 2.4. (Test the battery and power disconnect alarm as described in Section 2.3 of this manual.)
- Deliver NewLife units only to patients authorized by a physician's prescription. The NewLife must not be used as a life-supporting device. A backup supply of oxygen must be available.
- Instruct patients how to use the NewLife in conjunction with the Patient Manual.
- Instruct patients to notify their physicians and/or Equipment Providers if they experience any signs of discomfort.
- Instruct each patient how to perform routine maintenance of the air intake gross particle filter and how to check the alarm system battery. (Refer to Section 3.2.)
- Be available to service each patient at any time.
- Maintain the NewLife in accordance with Section 4.0.
- Repair components and replace parts only as outlined in this manual. Use only AirSep parts for replacement in NewLife Oxygen Concentrators.
- Refer to the NewLife Product Warranty if parts replacement is required within the warranty period.

## 1.2 Important Notice and Symbol Explanations

As you read the manual, pay special attention to the WARNING, CAUTION, and NOTE messages. They identify safety guidelines or other important information as follows:

---

**WARNING:** Describes a hazard or unsafe practice that can result in severe bodily injury or death.

---

**CAUTION:** Describes a hazard or unsafe practice that can result in minor bodily injury or property damage.

---

**NOTE:** Provides information important enough to emphasize or repeat.

---



The following harmonized symbols (pictograms), used for non-English language countries, will be located on the exterior of the NewLife unit:



Read the Patient Instruction Manual.



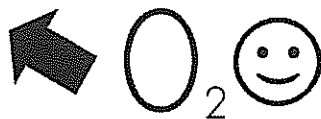
No smoking within five feet of this device, oxygen-carrying tubing, or accessories.



No open flames within five feet of this device, oxygen-carrying tubing, or accessories.



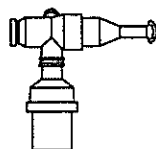
No oil, grease or petroleum-based products on or near the unit.



Oxygen outlet



Oxygen alarm



Nebulizer option

## 1.3 NewLife Product Warranty

AirSep Corporation warrants the NewLife Elite/NewLife Oxygen Concentrator to be free from defect in parts and workmanship for one, three, or five years (as specified on the original invoice provided) from the date of delivery to the original purchaser, under normal use and operation. AirSep Corporation's obligations under this warranty are limited to the repair or replacement of any such item of equipment (or part thereof) shown to be defective or, at AirSep Corporation's option, to refunding the purchase price of any such defective item of equipment.

Each item of equipment for which a warranty claim is asserted shall, at the request of AirSep Corporation, be returned on a prepaid basis with proof of purchase date to the AirSep factory at the expense of the purchaser. The purchaser will be responsible for return freight charges. Replacement parts shall be warranted as stated above for the unexpired portion of the original (one-, three-, or five-) year parts warranty (as specified on the original invoice provided). This warranty does not extend to any item or part subjected to misuse, accident, improper maintenance, or application, or which has been repaired or altered outside of the AirSep Corporation Factory without the express prior written authorization of AirSep Corporation.

THE FOREGOING WARRANTY IS IN LIEU OF ANY OTHER WARRANTY, EXPRESSED OR IMPLIED, IN FACT OR IN LAW, INCLUDING WITHOUT LIMITATION THE WARRANTY OF MERCHANTABILITY OR THE WARRANTY OF FITNESS FOR PARTICULAR PURPOSE. IT IS EXPRESSLY UNDERSTOOD THAT PURCHASER'S SOLE AND EXCLUSIVE REMEDY FOR DEFECT IN PARTS IS LIMITED TO ENFORCEMENT OF AIRSEP CORPORATION'S OBLIGATION AS SET FORTH ABOVE, AND AIRSEP CORPORATION SHALL NOT BE LIABLE TO PURCHASER OR OTHERS FOR LOSS OF USE OF THE EQUIPMENT OR FOR OTHER SPECIAL, INDIRECT, INCIDENTAL, OR CONSEQUENTIAL DAMAGES.

## 1.4 Functional Specifications

<b>Dimensions:</b>	28.5 in. high, 15.7 in. wide, 14.5 in. deep (72.4 cm high, 40.0 cm wide, 36.8 cm deep)
<b>Weight:</b>	54.0 lb; shipping weight - 59.0 lb (24.5 kg; shipping weight - 29.0 kg)
<b>Electrical Requirements:</b>	120 VAC, 60 Hz, 4 amps, 350 watts 230 VAC, 50 Hz, 4 amps, 350 watts
<b>Capacity:</b>	5 liters per minute at 90% oxygen (Based on 70°F [21°C] at sea level)
<b>Accuracy:</b>	Flowmeter $\pm 5\%$ full scale. (Based on precalibrated analysis.)
<b>Concentration:</b>	1-3 liters per minute at 95% + 0.5/ - 3% 4 liters per minute at 92% + 3.5/ - 3% 5 liters per minute at 90% + 5.5/ - 3%
<b>Response Time:</b>	Allow 5 minutes to attain maximum oxygen concentration.
<b>Positioning:</b>	Operate the unit in an upright position, maintaining at least six inches of open space on all sides for ventilation.



0459



## 2.0 Operation Check and Oxygen Concentration Test

### 2.1 Description of Operation

Air enters the NewLife Oxygen Concentrator through an external air intake gross particulate filter. This filtered air enters the compressor via a suction resonator, which quiets the compressor's suction sound. Pressurized air then exits the compressor and passes through a heat exchanger. The heat exchanger reduces the temperature of the compressed air. Next, a two-way solenoid feed valve directs the air into one of two sieve beds that contain molecular sieve. The unique property of molecular sieve enables it to physically attract (adsorb) nitrogen when air passes through this material, thus producing high concentration oxygen.

There are two sieve beds: while one produces high concentration oxygen, the other is purged of the nitrogen it adsorbed (collected) while it made oxygen. Each adsorber produces oxygen for approximately eight seconds and delivers it to the product tank. Oxygen exits the product tank through a pressure regulator, product filter, flow control valve, flowmeter, and finally exits the unit. The flow control valve, which is part of the flowmeter, controls the amount of oxygen delivered to the patient. The NewLife unit delivers up to 95.5% pure oxygen at flow rates from 1-5 lpm.

**NOTE:** NewLife Elite OxiSilent™ option incorporates an additional felt intake filter prior to air entering the compressor.

### 2.2 Operation Check

AirSep tests every NewLife Oxygen Concentrator thoroughly after manufacture. You must perform the following test to ensure that no damage occurred in shipping or handling.

- 1 Open and inspect all cartons (that contain units) upon delivery. Unpack the unit and remove it from the carton. Inspect the unit itself for damage. If the exterior of a unit's carton is damaged, or the unit itself is damaged, note it on the freight bill signed by the driver.
- 2 Plug in the power cord of the unit, and set the ON/OFF switch to the ON position. Check to see that the following occurs:
  - a. A continuous alarm loudly sounds for approximately five seconds to indicate that the battery for the alarm is good. See the troubleshooting chart in Section 6.0 of this manual if the unit's alarm does anything other than sound loudly for five seconds.
  - b. The compressor runs. Listen for the sound.
  - c. Exhaust air flows out of the bottom of the unit.

- d. **OPTIONAL:** The Oxygen Monitor's amber light remains on until the oxygen concentration reaches  $85\% \pm 3\%$  (approximately two minutes).

- 
- 3 Turn the flowmeter adjustment knob counterclockwise until it stops (wide open).
- 

The maximum flow should register 5.5 lpm (the 5.5 lpm line should appear to split the middle of the flowmeter ball) with no connections at the oxygen outlet. If not, refer to Section 5.8.1 to set the product regulator.

---

- 4 Perform an oxygen concentration test, as described in Section 2.4.

## 2.3 Alarm System

The NewLife Oxygen Concentrator is equipped with a battery-powered alarm system, which sounds a continuous and loud alarm when a power failure occurs. It sounds an intermittent alarm if the high or low pressure indicators are activated or if the optional oxygen monitor detects lower than therapeutic levels of oxygen concentration. The alarm remains on until you correct the alarm condition or you set the ON/OFF switch to the OFF position. Refer to Section 6.0 for a list of probable alarm causes.

### 2.3.1 Battery Test

Each time the NewLife unit is turned on, a five-second audible alarm sounds to indicate the condition of the battery.

#### NOTE

---

The audio alarm must sound loudly for approximately five seconds each time the unit is turned to ON to indicate the battery is in good condition.

---

### 2.3.2 Power Failure Alarm Test

To test the power failure alarm, take the following step:

Unplug the unit, and set the ON/ OFF switch to the ON position.

This should immediately activate the audio alarm. If it does not, refer to the troubleshooting chart in Section 6.0 of this manual.

## 2.4 Oxygen Concentration Test and Specification

To ensure that the unit's output of oxygen is within specification, you must perform a test of oxygen concentration. Test the unit upon delivery to a patient and at periodic intervals. Equipment Providers, based on their expertise and documentation, may establish and implement their own protocol to check oxygen concentration. The interval established may be longer or shorter than 90 days, which is AirSep's default time period for providers who do not choose to establish their own protocol.

- 1 If an oxygen humidifier bottle is used, remove it from the oxygen outlet.
- 2 Connect a calibrated oxygen concentration analyzer to the oxygen outlet.
- 3 Verify that the product flow rate delivered by the unit matches the patient's prescription and does not exceed the capacity of the unit.
- 4 Set the unit's ON/OFF power switch to the ON position. (It takes approximately five minutes for the oxygen concentration to stabilize.) Take oxygen concentration readings every 60 seconds until the analyzer shows that two consecutive readings are the same.
- 5 Disconnect the oxygen analyzer, and reconnect the humidifier bottle (if used) and any other equipment/ accessories that may be required.
- 6 Adjust the flowmeter adjustment knob to the prescribed level.

### NOTE

Do not measure oxygen concentration output after the product stream passes through a humidifier bottle, or erroneous readings will result.

### AirSep NewLife Oxygen Concentration Specifications

<u>Liter Flow</u>	<u>Specification</u>	<u>In Spec</u>
1-3 lpm	95% + 0.5/ - 3%	92% or higher
4 lpm	92% + 3.5/ - 3%	89% or higher
5 lpm	90% + 5.5/ - 3%	87% or higher





## 3.0 Patient Instructions

### 3.1 General Instructions

It is important that patients thoroughly understand how to operate the AirSep NewLife unit. This enables proper treatment as prescribed by a qualified, licensed physician. You must explain that the purpose of this therapy is to alleviate symptoms. If patients experience any discomfort or the unit alarms, they must notify their Equipment Provider and/or physician immediately.

You, as the Equipment Provider, are responsible to see that each patient receives the Patient Manual. Locate the Patient Manual in the pocket on the back of each unit. Explain each step in the operation of the unit to the patient in reference to this manual.

### 3.2 Routine Maintenance by the Patient

To ensure accurate output and efficient operation of the unit, the patient must perform two simple routine maintenance tasks:

- Clean the air intake gross particle filter
- Check the alarm system battery

#### 3.2.1 Cleaning the Air Intake Gross Particle Filter

##### NOTE

The patient must clean this filter weekly, as described below. The filter may require daily cleaning if the NewLife unit operates in a harsh environment such as a house heated by wood, kerosene, or oil, or one with excessive cigarette smoke.

- 1 Remove the dirty air intake gross particle filter from the back of the NewLife unit, and install the clean filter stored in the pocket on the back of the unit.
- 2 Wash the dirty filter in warm soapy water, and rinse.
- 3 Use a soft absorbent towel to remove excess water.
- 4 Place the clean air intake gross particle filter in the pocket on the back of the unit.

### **3.2.2 Checking the Alarm System Battery**

The alarm system battery is tested each time the ON/OFF switch is set to the *ON* position. A continuous alarm sounds for approximately five seconds to indicate a good battery. If the alarm does anything other than sound loudly for five seconds, instruct the patient to call the Equipment Provider immediately.

## 4.0 Provider Maintenance

### 4.1 Routine Maintenance

The NewLife Elite unit has two or three filters and a 9-volt battery that require scheduled maintenance and replacement.

To ensure that the unit's output of oxygen is within specification, you must perform a test of oxygen concentration. Test the unit upon delivery to a patient and at periodic intervals. Equipment Providers, based on their expertise and documentation, may establish and implement their own protocol to check oxygen concentration. The interval established may be longer or shorter than 90 days, which is AirSep's default time period for providers who do not choose to establish their own protocol.

AirSep does not require preventative maintenance on the concentrator. You do not need to perform any maintenance as long as the NewLife unit remains within specifications at the desired flow rate.

#### 4.1.1 Air Intake Gross Particle Filter/GPF

The external air intake gross particle filter is located on the back of the unit. You can easily remove it by hand. Instruct the patient to clean this filter weekly. (Refer to Section 3.2.1.)

##### NOTE

The filter may require more frequent cleaning if the NewLife unit operates in a harsh environment such as a house heated by wood, kerosene, or oil, or one with excessive cooking or cigarette smoke.

#### 4.1.2 Product Filter Replacement

The product filter must be replaced after every 25,000 hours of use.

- 1 Set the unit's ON/OFF switch to the OFF position, and unplug the power cord.
- 2 Remove the side panels to locate the product filter.

##### NOTE

Observe the position of the filter before removal.

- 3 Cut the tie-wraps, and separate the green tubing from both sides of the filter.

- 4 Install the new filter with the inlet side in the same position as before. Push the tubing together so that the tubing overlaps the product filter connections, and secure it with the tie-wraps.
- 5 Record information about the product filter replacement on the History Record Label, which is discussed in Section 4.1.5.
- 6 Reconnect the back and side panels.

### 4.1.3 Optional Filter Replacement

The optional internal felt filter requires changing every 5,000 hours of use. See below on instructions for changing the filter.

- 1 Set the unit's ON/OFF switch to the *OFF* position, and unplug the power cord.
- 2 Remove right side panel to locate the felt intake filter.
- 3 Remove filter in the unit, and replace with a new filter.
- 4 Remove left side panel and record information about the filter replacement on the History Record Label.
- 5 Reconnect both side panels.

### 4.1.4 Battery Replacement

Each time the NewLife unit is turned on, the alarm must sound loudly for approximately five seconds to indicate a good battery. An alarm that does anything other than sound loudly for five seconds indicates a weak battery and requires replacement.

To replace the battery, take the following steps:

- 1 Set the unit's ON/OFF switch to the *OFF* position, and unplug the power cord.
- 2 Remove the left side panel.
- 3 Lift the battery out of the battery holder.

- 
- 4 Install the new battery, maintaining proper polarity, and secure it with the Velcro strap.

---

  - 5 Set the ON/OFF switch to the *ON* position to test the alarm.

---

  - 6 Record the battery replacement information on the History Record Label.

---

  - 7 Reconnect the side panel.

### 4.1.5 Recording Maintenance

As the Equipment Provider, you can record all routine maintenance and repairs performed on the NewLife unit, including hours and dates of service.

A History Record Label is located inside the unit. Keep this label current to avoid unnecessary replacement of parts (i.e., product filter and battery).

## 4.2 Cleaning and Infection Control

With the growing concern about possible cross infection from home oxygen equipment (i.e., oxygen concentrators) from one home care patient to another, a clarification on this topic is necessary.

The organisms of most concern are M. Tuberculosis, HIV, and Viral Hepatitis. These are potentially pathogenic.

Tuberculosis can survive outside of the human body, but its mode of transmission is by droplet nuclei. When infected individuals cough, they release droplet nuclei into the air, and these carry the Tuberculosis organism. These droplet nuclei may be breathed in by another person, but prolonged exposure to the infected person is usually necessary for infection to occur.

HIV and Viral Hepatitis are both viruses, which are not living cells themselves but which can duplicate when in a living "host" cell. Both of these organisms are usually passed on by person-to-person contact, and both need to be in the human body to survive. Once outside the body, viruses do not survive.

### 4.2.1 Preparing for New Patient Use

When you remove the NewLife from a patient's home, always dispose of the used nasal cannula and humidifier bottle. Clean the exterior of the NewLife with a soapy water solution or commercial cleaner to remove any gross debris, organic or otherwise. Be careful not to get any liquid into the interior of the unit.

Next, clean the exterior with either a common chemical disinfectant or a bleach solution\* before other patients use the unit. For the bleach solution, wear eye and skin protection to prevent exposure to the chlorine. Allow the NewLife to air dry, and then retest it before you return it to inventory.

Clean the air inlet gross particle filter with warm soapy water between each patient's use. Clean this filter at least once per week, depending on the environment, during normal operation.

Change the product filter after 25,000 hours of use. It is not necessary to change this filter between patients even if the previous patient had a communicable disease or infection.

---

\*Make the bleach solution a 1:100 dilution of 5.25% sodium hypochlorite. Mix one part household bleach (e.g., Clorox) with 99 parts cold tap water. To measure the solution easily, take 1/4 cup of household bleach, and mix it with a gallon of cold tap water. Allow the mixture to sit on potentially contaminated surfaces for 10 minutes.

---

## 5.0 Service

### 5.1 Components

The design of the AirSep NewLife Oxygen Concentrator allows for easy access and removal of most components. This allows you to perform scheduled maintenance, repair, and replacement of parts with minimal time and effort.

#### CAUTION

---

For your safety, be sure to set the ON/OFF switch to the *OFF* position and unplug the power cord of the unit before you service the NewLife Oxygen Concentrator.

---

#### NOTE

---

Record all scheduled maintenance. (Refer to Section 4.0.)

---

### 5.2 Cabinet Removal

#### 5.2.1 Removing Side Panel(s)

To remove one or both side panels, unscrew the 1/4 turn fastener(s) and remove the panel(s).

#### 5.2.2 Removing Back Panel

Remove both side panels, and lift off the back panel. Make sure the power cord can pass freely through the power cord cutout.

#### 5.2.3 Removing Lower Front Cover

Firmly grasp panel with both hands, and slightly bow panel outward to remove.

#### 5.2.4 Removing Control Panel

Four screws hold the control panel in place. Remove them and the control panel to re-install or replace if necessary.

#### 5.2.5 Superstructure

The weight and forces of the internal components rest solely on three parts: the superstructure, compressor plate, and the base. These parts were specially designed and formed. They should never require replacement under normal use.

## 5.2.6 Caster Replacement

- 
- 1 Remove the cabinet panels to expose the caster nut.
- 
- 2 Remove the caster nut with a 9/16-inch socket.
- 
- Use an extension for the two front caster nut removals.
- 
- 3 Install the new caster and washer, and tighten the nut.
- 
- 4 Reconnect the cabinet panels.

## 5.3 Compressor

The compressor is the “pump” within the oxygen concentrator that pushes the room air into the bottom of the sieve beds. This allows oxygen to flow out of the top.

Two different aspects of the compressor cause concern: the output and the sound level.

### ■ Output

Compressor output refers to how much compressed air the compressor can produce. This depends upon the model of the compressor, stroke size, bore size and cup seal condition. The cup seals form the seal between the piston and the cylinder wall. As the cup seals wear, the compressor’s output begins to gradually decrease. This reduction in compressor output results in less air for the sieve beds. Therefore, the production of oxygen decreases.

Since this drop in oxygen production occurs over a long period of time, preventative maintenance on the compressor is not required. You can continue a patient’s therapy on the NewLife unit as long as that unit’s oxygen concentration level at the prescribed liter flow rate is within AirSep’s specifications. Refer to Section 2.4.

### ■ Sound Level

The condition of the compressor’s bearings mainly determine its sound level.

There are four bearings located within the compressor that allow the inner components of the compressor to rotate. If the bearings wear to the point that they become noisy, the compressor becomes noticeably loud and needs servicing.



### 5.3.1 Compressor Replacement

#### Compressor Assembly Removal

To remove the compressor assembly for exchange, follow the steps listed below:

- 1 Set the unit's ON/OFF switch to the *OFF* position, and unplug the power cord.
- 2 Remove the side and lower front panels.
- 3 Disconnect the suction tube.
- 4 Disconnect the blue compressor lead at the terminal strip and the brown lead at the temperature switch.
- 5 Disconnect the two leads to the capacitor and remove if necessary.
- 6 Disconnect the compression fitting for the heat exchanger located at the bottom center of the compressor.
- 7 Remove the two screws that connect the compressor plate to the base of the unit, and lift up and slide out the compressor assembly.
- 8 If needed, remove compressor from the plate by removing the four compressor bolts.

#### Compressor Assembly Installation

To install the rebuilt compressor assembly, follow the steps listed below:

- 1 Perform the compressor removal procedure in reverse order.
- 2 Make sure to position the compressor's lead wires behind the braided suction tube.
- 3 Leak test all connections.

### 5.3.2 Capacitor Replacement

The capacitor starts the compressor. If the compressor cannot start, the capacitor may be defective and require replacement. To replace the capacitor, take the following steps:

- 
- 1 Set the unit's ON/OFF switch to the *OFF* position, and unplug the power cord.

---

  - 2 Remove the side and lower front panels.

---

  - 3 Disconnect the two leads to the capacitor and slide capacitor out of the tie wrap holding it in place.

---

  - 4 To install the new capacitor, connect the leads and slide the capacitor into the tie wrap holding it in place.

## 5.4 Solenoid Valves

The NewLife uses 5 two-way solenoid valves: two feed, two waste, and one equalization. Each valve has an open (energized) and closed (de-energized) position. As the NewLife operates, two valves are always energized.

The solenoid valves of the NewLife unit require no scheduled maintenance. If a valve becomes noisy, you can easily replace the internal valve parts. To identify the noisy valve, observe which green circuit board light illuminates at the time of the noise. The lighting matrix on the circuit board corresponds to the valve location.

### 5.4.1 Feed or Waste Valve Rebuilding

The two feed valves and two waste valves are located on the unified valve block. This valve block does not require removal to rebuild a feed or waste valve.

- 
- 1 Set the ON/OFF switch to the *OFF* position, and unplug the power cord.

---

  - 2 Remove the side and back panels.

---

  - 3 Remove the retaining cap from the appropriate valve with a slotted-head screwdriver.

---

  - 4 Lift off the solenoid coil.

- 5 Loosen and remove the solenoid base with a one-inch deep well socket.
- 6 Install the rebuild kit, which contains all parts of the solenoid assembly except the solenoid coil.

### 5.4.2 Feed or Waste Valve Reassembly

To reassemble the feed or waste valves, follow the feed or waste valve rebuilding procedure in reverse order, and test for leaks.

### 5.4.3 Solenoid Valve Coil Replacement

If a solenoid valve coil does not operate, its corresponding green light on the circuit board does not illuminate.

- 1 Set the ON/OFF switch to the *OFF* position, and unplug the power cord.
- 2 Remove the side and back panels.
- 3 Remove the retaining cap with a slotted-head screwdriver.
- 4 Disconnect the solenoid leads, and lift off the solenoid coil.
- 5 Replace with the new coil.
- 6 Reinstall the retaining cap back on top of the coil, and reconnect the solenoid leads.
- 7 Reconnect the back and side panels.

## 5.5 Sieve Bed Replacement

### WARNING

---

Do not refill the snap-ring-style sieve beds. Special tooling is required to remove and re-install the spring-loaded top cap and snap-ring.

---

### CAUTION

---

Do not expose molecular sieve (contents of bed) to air for an extended period of time. Prolonged exposure of molecular sieve to the moisture in room air results in contamination and permanent damage to the sieve material. Keep all openings to the sieve beds sealed.

---

### NOTE

---

If replacement is necessary, you must replace both sieve beds at the same time.

---

### 5.5.1 Sieve Bed Removal

- 1 Set the unit's ON/OFF switch to the *OFF* position, and unplug the power cord.
- 2 Remove the side and back panels.
- 3 Cut the tie-wraps at the brass "T" fitting, and disconnect the green 1/4-inch product tubes.
- 4 Cut the tie-wraps at the top of the sieve beds, and disconnect the green 1/4-inch equalization tubes.
- 5 Remove the 9/16-inch compression fitting on the bottom of each sieve bed.
- 6 Cut the tie-wraps, and remove the sieve beds. Proper removal of the sieve beds includes the product tubes.
- 7 Plug the opening on the top and bottom of the sieve beds.

## 5.5.2 Sieve Bed Installation

To install the sieve beds, follow the sieve bed removal procedure in reverse order. It is very important to tighten all tubes to eliminate leaks. However, do not over tighten.

To check for leaks, take the following steps:

- 
- 1 Plug in the unit.

---

  - 2 Set the unit's ON/OFF switch to *ON* for three minutes with the flowmeter closed to pressurize the system.

---

  - 3 Set the unit's ON/OFF switch to *OFF*, and unplug the power cord.

---

  - 4 Apply soapy water around the sieve bed tube connections, and check for leaks.

### NOTE

---

Leaks can be so small in air loss that oxygen concentration is not affected immediately. The sieve material can become contaminated gradually. Careful leak testing is important.

---

## 5.6 Cabinet Fan Replacement

The cabinet fan for the NewLife is located in the back of the unit. Refer to the troubleshooting chart in Section 6.0 of this manual for instances where replacement of the fan may be required.

To replace the cabinet fan in the NewLife unit, take the following steps:

- 
- 1 Set the unit's ON/OFF switch to the *OFF* position, and unplug the power cord.

---

  - 2 Remove the side and back panels.

---

  - 3 Remove the two screws that hold the fan to the superstructure, and remove the fan.

---

  - 4 Disconnect the fan leads.

---

  - 5 Position the new cabinet fan so that the air flow arrow points toward the compressor and the electrical connections are in the bottom right corner.

6 Connect the fan leads, and install the cabinet fan screws.

---

7 Reconnect the back and side panels.

## 5.7 Circuit Board Replacement

The solid-state printed circuit board controls the sequential timing operation of the five solenoid valves and the alarm system functions. The five-green-light matrix corresponds to the valve configuration of the NewLife unit. Two green lights should always illuminate and rotate (cycle) during normal operation.

A green light that fails to illuminate indicates a disconnected or faulty solenoid coil or an electrical malfunction in that valve circuit. The two red lights indicate high and low pressure.

Consult the troubleshooting chart in Section 6.0 to determine when to replace the printed circuit board.

### CAUTION

---

The Printed Circuit Boards (PCBs) contain components that are sensitive to electrostatic discharge (ESD) and can damage the board if not handled properly. As when handling any ESD-sensitive PCB, observe standard ESD safety procedures. These procedures include the following:

---

- Handle the PCB by the edges only.
- Work on a grounded ESD mat.
- Wear a grounded wrist strap.
- Store PCBs only in anti-static bags.

### 5.7.1 Circuit Board Removal

---

1 Set the unit's ON/OFF switch to the *OFF* position, and unplug the power cord.

---

2 Remove the side and back panels.

---

3 Disconnect the main power 10-pin connector from the circuit board.

**NOTE**

---

If a pressure transducer circuit board, cut tie-wrap at circuit board and disconnect green 1/4-inch tube. Plug/cap open end of tube until new circuit board is replaced.

---

- 
- 4 Push in on the locking tab to the alarm 6-pin connector to disconnect it.

---

  - 5 With a slotted screwdriver, push in on the board support tabs, while you lift each corner of the circuit board.

---

  - 6 Remove the circuit board.

**NOTE**

---

Handle the new circuit board only by the edges to prevent electrostatic damage to the unit.

---

## 5.7.2 Circuit Board Installation

**NOTE**

---

If a pressure transducer circuit board, first reinstall 1/4-inch green tube with new tie-wrap.

---

- 
- 1 Push the circuit board on to the support tabs.

---

  - 2 Firmly plug in the 6-pin connector to the circuit board so that the connector's locking tab locks against the circuit board.

---

  - 3 Plug in the 10-pin connector.

---

  - 4 Reconnect the back and side panels.

## 5.8 Product Regulator Check and Setting

The product regulator enables you to set the maximum flow of oxygen output by the NewLife unit. To check for proper adjustment of the product regulator, take the following steps:

- 1 Set the ON/OFF switch to the *ON* position.
- 2 Allow the unit to run for three minutes.
- 3 Turn the flowmeter adjustment knob counterclockwise until it stops (wide open).
- 4 The flowmeter ball centers itself on the 5.5 lpm line. If not, the product regulator needs to be reset.

### 5.8.1 Setting Product Regulator for Normal Operation

Use the following procedure to reset the product regulator:

- 1 Disconnect the humidifier bottle, if used, and the tubing from the oxygen outlet.
- 2 Plug in the unit.
- 3 Set the unit's ON/OFF switch to the *ON* position, and allow the unit to run at least three minutes to build up pressure.
- 4 Remove the right side panel.
- 5 Turn the flowmeter adjustment knob counterclockwise until it stops (wide open).
- 6 Pull outward on the regulator knob to unlock it.
- 7 Turn the regulator knob or set screws until the flowmeter ball centers on the 5.5 lpm line (clockwise to increase).
- 8 Push in the regulator knob to lock it.
- 9 Reconnect the side panel.

### 5.8.2 Product Regulator Lockout

Take the following steps to limit the maximum flow of oxygen concentrator:



**NOTE**


---

It may be desirable to provide one additional liter of flow if you use the lockout feature.

---

- 
- 1 Plug in the unit.

---

  - 2 Set the unit's ON/OFF switch to the *ON* position, and allow the unit to run at least three minutes to build up pressure.

---

  - 3 If used, connect the humidifier bottle, oxygen tubing, and cannula to the oxygen outlet.

---

  - 4 Remove the right side panel.

---

  - 5 Turn the flowmeter adjustment knob counterclockwise until it stops (wide open).

---

  - 6 Pull outward on the regulator knob to unlock it.

**NOTE**


---

When this lockout feature is no longer required, follow the normal regulator setting procedure, as described in Section 5.8.1.

---

- 
- 7 Turn the regulator knob counterclockwise to decrease the setting until the flowmeter registers the maximum flow desired.

---

  - 8 Push in the regulator knob to lock the setting.

---

  - 9 Reconnect the side panel.

**5.8.3 Back Pressure Correction at 5 LPM**

In some cases, additional lengths of oxygen tubing with a humidifier bottle can increase back pressure and limit oxygen flow below 5 lpm.

To achieve 5 lpm, use the following procedure:

- 
- 1 Plug in the unit.

- 2 Set the ON/OFF switch to the *ON* position, and allow the unit to run at least three minutes to build up pressure.
- 3 Connect the humidifier bottle, oxygen tubing, and cannula to the oxygen outlet.
- 4 Remove the right side panel.
- 5 Turn the flowmeter adjustment knob counterclockwise until it stops (wide open).
- 6 Pull outward on the regulator knob to unlock it.
- 7 Turn the regulator knob clockwise until the flowmeter ball centers on the 5.5 lpm line.
- 8 Push in the regulator knob to lock the setting.
- 9 Turn the flowmeter adjustment knob clockwise until the flowmeter indicates 5 lpm.
- 10 Reconnect the side panel.

---

**NOTE**

When this back pressure correction at 5 lpm is no longer required, follow the normal regulator setting procedure as described in Section 5.8.1.

---

#### **5.8.4 Product Regulator Cleaning or Rebuilding**

Clean or rebuild the product regulator if the flowmeter ball fluctuates more than 1/4 of a liter or if the regulator cannot be adjusted for lock-out.

- 1 Set the unit's ON/OFF switch to the *OFF* position, and unplug the power cord.
- 2 Remove the right side panel.
- 3 Use large pliers to unscrew the bonnet of the product regulator, which contains a large spring.

---

**NOTE**

---

Adjust the product regulator fully counterclockwise to unload the spring. This makes disassembly and reassembly easier.

---

- 
- 4 Remove the diaphragm. (Clean or replace it.)

---

  - 5 Use a Phillips-head screwdriver to unscrew the diaphragm stem guide located in the center of the regulator body to gain access to the seat.

---

  - 6 Remove the seat. Be careful not to lose the spring located behind the seat.

---

  - 7 Clean or replace the seat.

---

  - 8 With the spring behind the seat, screw the diaphragm stem guide back into the body of the regulator. (Do not over tighten.)

---

  - 9 Install a clean or replacement diaphragm.

---

  - 10 Put the large spring and slip ring into the bonnet, and screw the bonnet onto the regulator body.

---

  - 11 Reset the product regulator as described in Section 5.8.1.

## 5.9 High or Low Pressure Switch Replacement (In Equipped Units)

The high pressure switch is located closer than the low pressure switch to the pressure test port. Remove it first to gain access to the low pressure switch.

- 
- 1 Set the unit's ON/OFF switch to the *OFF* position, and unplug the power cord.

---

  - 2 Remove the right side panel.

---

  - 3 Disconnect the leads to the pressure switch.

---

  - 4 Unscrew the pressure switch from the pressure test block.

- 5 Install the new pressure switch, connect the leads, and leak test.
  - 6 Reconnect the side panel.
- 

## 5.10 Circuit Breaker Replacement

### 5.10.1 Circuit Breaker Removal

- 1 Set the unit's ON/OFF switch to the *OFF* position, and unplug the power cord.
  - 2 Remove the left side panel.
  - 3 Disconnect the circuit breaker leads.
  - 4 Unscrew the circuit breaker while you apply pressure to the circuit breaker retaining ring.
- 

### 5.10.2 Circuit Breaker Installation

Follow the removal procedure for the circuit breaker in reverse order to install the new circuit breaker.

## 5.11 ON/OFF Power Switch Replacement

### 5.11.1 ON/OFF Power Switch Removal

- 1 Set the unit's ON/OFF switch to the *OFF* position, and unplug the power cord.
  - 2 Remove both side panels, the lower front panel, and the back cover.
  - 3 Unscrew the four Phillips-head screws that hold the control panel to the superstructure.
  - 4 Cut off the two white tie-wraps from the terminal strip leads.
  - 5 Disconnect the ON/OFF switch leads from the back of the switch.
  - 6 Push on the back of the power switch, while holding in its retaining tabs, and remove the switch through the front panel.
-

---

### 5.11.2 ON/OFF Power Switch Installation

Follow the removal procedure for the ON/OFF power switch in reverse order to install a new power switch. Make sure to reinstall the switch properly by having the "O" on the switch located on the bottom when finished.

## 5.12 Buzzer Replacement

---

- 1 Set the unit's ON/OFF switch to the *OFF* position, and unplug the power cord.

---

- 2 Remove the left side panel.

---

- 3 Unscrew the two Phillips-head screws that hold the buzzer to the superstructure, and solder to disconnect the buzzer leads.

---

- 4 Solder the leads to the new buzzer, and screw the buzzer to the superstructure.

---

- 5 Reconnect the side panel.

## 5.13 Hour Meter Replacement

---

- 1 Set the unit's ON/OFF switch to the *OFF* position, and unplug the power cord.

---

- 2 Remove the left side panel.

---

- 3 Disconnect the hour meter leads.

---

- 4 Push hour meter mounting tabs to remove the hour meter through the control panel.

---

- 5 Install the new hour meter into the control panel, making sure that the "hourglass" icon displays on the bottom.

---

- 6 Reconnect the hour meter leads.

---

- 7 Reconnect the side panel.

---

- 8 Plug unit in and set the unit's ON/OFF switch to *ON*. Hourglass icon should flash showing it is functioning correctly.

## 5.14 Flowmeter Replacement

### 5.14.1 Flowmeter Removal

- 
- 1 Set the unit's ON/OFF switch to the *OFF* position, and unplug the power cord.

---

  - 2 Remove the left side panel.

---

  - 3 Cut the tie-wraps, and remove the 3/8-inch green oxygen tubing from the flowmeter fittings.

---

  - 4 Unscrew the flowmeter nuts with a wrench.

---

  - 5 Remove the flowmeter through the control panel.

### 5.14.2 Flowmeter Installation

To install a new flowmeter, follow the flowmeter removal procedure in reverse order. Then perform a leak test on the connections.

## 5.15 Power Cord Replacement

- 
- 1 Set the unit's ON/OFF switch to the *OFF* position, and unplug the power cord.

---

  - 2 Remove the side and back panels.

---

  - 3 Open the plastic twist clamps.

---

  - 4 Cut the tie-wraps (located near the power cord push-on connectors).

---

  - 5 Disconnect the white and black power cord leads.

---

  - 6 Lay the unit face down, and unscrew the two Phillips-head screws that secure the power cord receptacle to the base of the unit.

---

  - 7 Use a slotted-head screwdriver to break the receptacle seal.

---

  - 8 Pull the receptacle forward until the back of the strain relief is visible.

---

  - 9 Press both ends of the strain relief together with needle-nose pliers to remove and save it for reuse.

- **10** Pull the power cord through the opening on the power cord receptacle.

---
- 11** Using same distance located on old power cord, slide the strain relief onto the new power cord with the lip of the strain relief facing the ends of the power cord leads.

---
- 12** Insert the new power cord through the opening on the receptacle by squeezing the strain relief together with pliers.

---
- 13** Position the strain relief upward, and push it into the rear of the power cord opening on the receptacle.

---
- 14** Reconnect the power cord leads, close the plastic twist clamps, and re-attach the tie-wraps.

---
- 15** Reconnect the power cord receptacle to the base of the unit with the two Phillips-head screws.

---
- 16** Reconnect the side and back panels.

---





## 6.0 Troubleshooting

### 6.1 Operating Pressure Test

Testing the operating pressure is a useful diagnostic tool when a concentrator has low oxygen concentration and requires servicing. Units functioning normally do not require operating tests.

Use the following procedure to test the operating pressure of the unit.

- 1 Set the unit's ON/OFF switch to the *OFF* position, and unplug the power cord.
- 2 Remove the right side panel.
- 3 Connect the pressure test gauge to appropriate test port location. (Some models may require an additional test adapter (KI257-1) which allows connecting directly to the 1/4-inch black pressure tubing from the valve block.)
- 4 Plug in the power cord, and set the unit's ON/OFF power switch to the *ON* position. Set the flowmeter to 5 lpm, and allow the unit to run at least five minutes.
- 5 Observe the maximum and minimum readings on the pressure test gauge.

The maximum reading should not exceed 32 psig (220.6 kPa). The minimum reading should not be less than 10 psig (69 kPa).

#### NOTE

When you turn the unit on, the system pressure always registers higher than normal for the first few minutes of operation. Make sure the unit is not in economy mode of operation if equipped.

#### 6.1.1 High Operating Pressure

Higher than normal operating pressure may indicate any of the following:

- A restrictive blowdown muffler, which does not allow the waste (purge) gas to exit the system freely.

Operate the unit with the blowdown muffler disconnected to see if the operating pressure returns to normal.

- An improperly operating circuit board or solenoid valve.

Confirm that the circuit board and solenoid valves function properly.

- Contaminated sieve beds.

Change the sieve beds.

### 6.1.2 Low Operating Pressure

Lower than normal operating pressure may indicate any of the following:

- A restriction in the suction resonator or optional air intake filter, which limits the amount of room air available to the compressor.

Disconnect the braided suction tube at the compressor, and allow the unit to operate without the suction resonator to see if normal operating pressure returns.

- An improperly operating circuit board or solenoid valve.

Confirm that the circuit board and solenoid valves function properly.

- A leak in the unit, which allows system pressure to escape.

Leak test the unit.

- A compressor with reduced output.

Ensure that the oxygen concentration level at the desired liter flow is within AirSep's specifications. If it is below specifications, replace or repair the compressor.

- An obstructed or vertically positioned (ECONomy mode) EcoCheck valve.

For the EcoCheck valve (available only as an option for units equipped with an oxygen monitor): confirm that the EcoCheck valve is not obstructed or in the ECONomy mode.

## 6.2 General Troubleshooting

Before reviewing the troubleshooting chart, the following steps may be useful to isolate any malfunctions:

- 
- 1 Turn the concentrator on. If unit does not turn on, refer to troubleshooting chart.

- 2 Make sure all filters are clean.

---

- 3 Turn flowmeter completely open, up to the highest setting. The ball should rest at 5.5 lpm. If setting is not 5.5 lpm, adjust regulator so that the ball is set at 5.5 lpm with the flowmeter completely open.

---

- 4 Make sure the unit is cycling properly by following the green valve lights on the circuit board. The lights should follow the label below the circuit board and two lights should be activated at all times. If the unit is not cycling properly, refer to troubleshooting chart.

---

- 5 If concentrator is not meeting specifications, make sure that the unit is leak free by testing all tubing connections and fittings with leak testing solution. Protect circuit board from solution and start leak test at the heat exchanger, following air flow of unit to oxygen outlet. Repair all leaks by tightening connections and fittings.

---

- 6 Set the concentrator at 5 lpm and connect pressure test gauge to unit. Determine pressure parameters by observing high and low pressure points on the gauge. If pressures are high or low, refer to Section 6.1.

---

- 7 Review troubleshooting chart to isolate and repair any other malfunctions.

## 6.3 Troubleshooting Chart

Problem	Probable Cause	Solution
<i>Compressor does not run. Constant audio alarm with ON/OFF power switch in ON position.</i>	<p>No power to unit.</p> <p>Unit circuit breaker tripped or faulty.</p> <p>Faulty electrical connections.</p> <p>Defective circuit board.</p> <p>Defective ON/OFF power switch.</p>	<p>Check wall outlet for power.</p> <p>Reset or replace circuit breaker.</p> <p>Check electrical connections.</p> <p>Check circuit board for two-light rotation/replace circuit board.</p> <p>Replace ON/OFF power switch.</p>
<i>Compressor runs with intermittent alarm. Oxygen concentration at 5 LPM is within specifications.</i>	<p>Defective high or low pressure switch.</p>	<p>Replace and retest pressure switch.</p>
<i>Compressor shuts down intermittently.</i>	<p>Restricted air flow through unit.</p> <p>Unit overheating due to improper location.</p> <p>Defective cabinet fan.</p> <p>Defective high temperature switch.</p>	<p>Clean inlet filter, or remove obstruction.</p> <p>Locate unit away from heating source, providing adequate ventilation on all sides.</p> <p>Replace cabinet fan.</p> <p>Replace high temperature switch.</p>
<i>Compressor does not start. ON/OFF power switch in ON position, intermittent alarm, and cabinet fan turns.</i>	<p>Extreme cold start.</p> <p>Compressor thermally cut off due to excessive heat. NOTE: It will not restart unit until it cools down.</p> <p>Defective capacitor.</p> <p>Defective circuit board.</p> <p>Faulty electrical connection for compressor.</p> <p>Defective high temperature switch.</p>	<p>Allow unit to reach room temperature.</p> <p>Blocked air intake or defective cabinet fan/clear obstruction, or replace cabinet fan.</p> <p>Replace capacitor.</p> <p>Check circuit board for two-light rotation/replace circuit board.</p> <p>Check electrical connections for compressor.</p> <p>Replace high temperature switch.</p>

<b>Problem</b>	<b>Probable Cause</b>	<b>Solution</b>
<i>Compressor runs with intermittent low pressure alarm and low oxygen concentration.</i>	Leak.	Leak test and repair leak.
	Defective circuit board.	Check circuit board for two-light rotation/replace circuit board.
<i>Compressor runs with intermittent high pressure alarm and low oxygen concentration.</i>	Defective sieve beds.	Replace sieve beds.
	Faulty solenoid valve.	Repair or replace solenoid valve.
	Restriction in exhaust muffler.	Replace or clean muffler.
<i>Compressor relief valve releases (popping sound).</i>	Defective circuit board.	Check circuit board for two-light rotation/replace circuit board.
	Defective solenoid valve.	Repair or replace solenoid valve.
	Contaminated sieve beds.	Replace sieve beds.
	Defective relief valve.	Replace relief valve.
	Faulty electrical connection at waste valve.	Repair electrical connection.
<i>Constant alarm with ON/OFF switch in ON position. Circuit breaker repeatedly trips.</i>	Defective circuit breaker.	Replace circuit breaker.
	Defective capacitor.	Replace capacitor.
	Defective compressor.	Replace compressor.
	Defective circuit board.	Check circuit board for two-light rotation/replace circuit board.
	Faulty electrical connection.	Repair electrical connection.
<i>Alarm does not sound.</i>	Dead battery.	Replace battery.
	Incorrectly installed battery.	Reinstall battery with correct polarity.
	Faulty electrical connection.	Repair electrical connection.
	Defective ON/OFF switch.	Replace ON/OFF switch.
	Defective buzzer.	Replace buzzer.
	Defective pressure switch.	Replace and test pressure switch.

<b>Problem</b>	<b>Probable Cause</b>	<b>Solution</b>
<i>Flowmeter fluctuates.</i>	Improperly set or faulty product regulator.  Leak.  Worn compressor.  Defective circuit board.  Defective flowmeter.  Defective solenoid valve.	Check regulator setting/clean, repair, or replace regulator.  Leak test and repair leak.  Replace compressor.  Check circuit board for two-light rotation/replace circuit board.  Replace flowmeter.  Repair or replace solenoid valve.
<i>Cabinet fan does not turn.</i>	Defective cabinet fan.  Defective electrical connections.	Replace cabinet fan.  Check electrical connections.
<i>Limited or low flow.</i>	Restriction in humidifier or tubing.  Product regulator set too low.  Leak.  Weak compressor.  Defective solenoid valve.  Reduced air intake (suction).  Defective circuit board.  Restriction in mixing tank.	Replace humidifier or tubing.  Adjust regulator setting.  Leak test and repair leak.  Check system pressure, and rebuild or exchange compressor.  Repair or replace solenoid valve.  Check felt filter, suction resonator, and suction tube for obstruction.  Check circuit board for two-light rotation/replace circuit board.  Replace tank.
<i>Low oxygen concentration.</i>	Occluded internal felt filter.  Leak.  Weak compressor.  Unit's temperature is too high.  Defective circuit board.  Contaminated sieve beds.  Defective solenoid valve.  Restriction in exhaust muffler.  Restriction in suction resonator.  Restriction in EcoCheck valve.	Replace felt filter.  Leak test and repair leak.  Check system pressure, and rebuild or replace compressor.  Blocked air intake or defective cabinet fan.  Check circuit board for two-light rotation/replace circuit board.  Replace sieve beds.  Repair or replace solenoid valve.  Replace or clean exhaust muffler.  Check suction resonator and suction tube for obstruction and remove.  Clean EcoCheck valve.

## 6.4 Tool Kit and Pressure Test Gauge

The tools needed for you to properly service the NewLife unit are listed below:

Large pliers, wire cutters, needle-nose pliers, slotted-head screwdriver, Phillips-head screwdriver, ratchet, 8-inch adjustable wrench, 1-inch deep well socket, 9/16-inch socket, 2-inch extension, 7/16-inch combination wrench, 9/16-inch combination wrench, and 5/8-inch combination wrench.

In addition, channel locks and a small slotted-head screwdriver may be recommended for some service procedures.

A pressure test gauge to read operating system pressures on the NewLife unit should be kept available at all times.





# Appendix

## ■ Exploded Drawings

Control Panel Assembly	A-1
Main Structure Assembly	A-2
Base and Cabinet Components	A-3
Test Block Assembly	A-4
Valve Block Assembly	A-5
Compressor Assembly	A-6
Adsorption Bed Assembly	A-7

Ref. No.	Part No.	Description	Ref. No.	Part No.	Description
1	CA003-1	Cabinet, Control Panel, ABS, Med. Gray	8	F0317-2	Fitting, Elbow, 1/8 FNPT x 1/4 ID Tubing, Multibarb
2	CB004-1R	Circuit Board, 120V, 17.6 Sec.	9	FM001-2	Flowmeter, 2 LPM, 1/8" Increments and Cubic Centimeters
2A	CB068-1	Circuit Board, 120V, Pressure Transducer	10	FM033-1	Flowmeter, 5.5 LPM
3	CB004-2R	Circuit Board, 220V, 17.6 Sec.	11	HM009-1	Hour Meter, LCD, 100-270VAC, 50-60Hz
3A	CB068-2	Circuit Board, 220V, Pressure Transducer	12	MO002-1	Mount, Circuit Board Standoff, 1/8"
4	CR001-1	Circuit Breaker, 8 Amp, 120V	13	SW114-1	Switch, On-Off, Rocker, 2-Pole
5	CR001-5	Circuit Breaker, 2.5 Amp, 220-240V	14	TU068-2	Tubing, Assembly, Outlet
6	F0007-3	Fitting, Chrome Adapter, SW, 1/8" MPT x B	15	TW001-4	Tie Wrap, 4"
7	F0025-1	Fitting, Plastic Adapter, B Size, ARP-12B, F-SW x 1/4 Barb	16	VA006-1	Valve, Check, 1/4 Barb x 1/4 Barb MPC

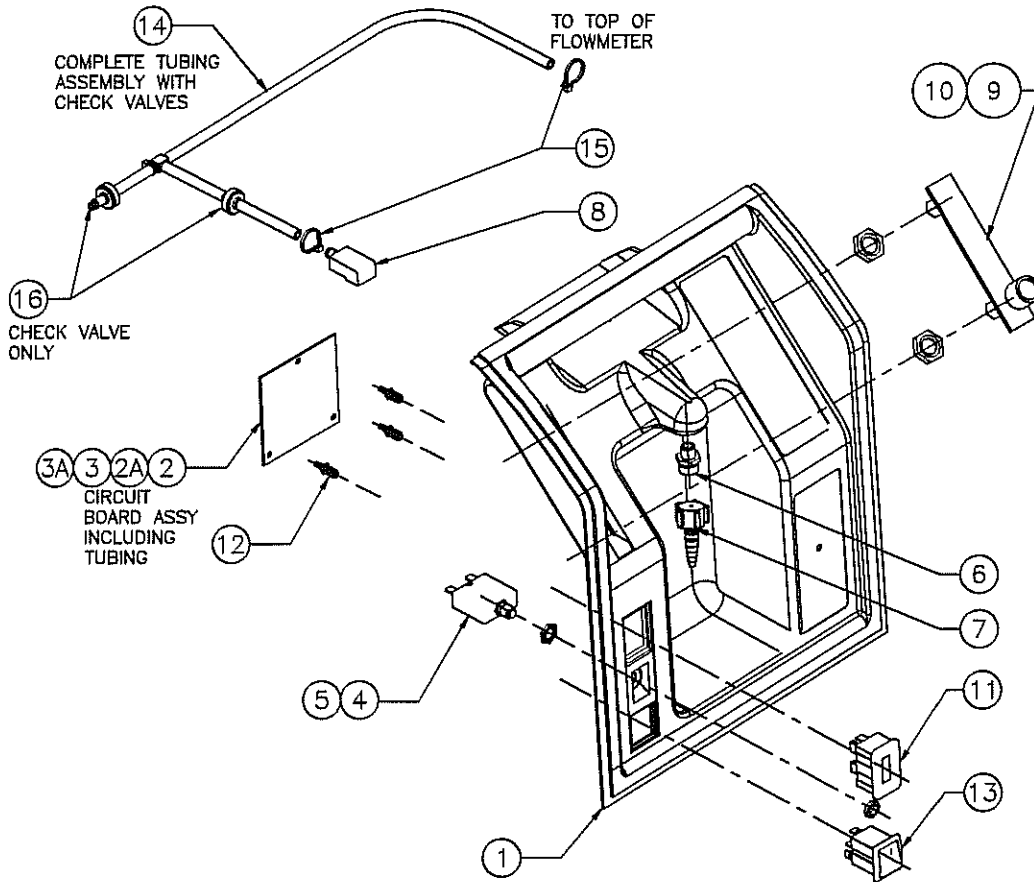


Figure A.1: Control Panel Assembly

Ref. No.	Part No.	Description	Ref. No.	Part No.	Description
1	AL002-1	Alarm, Buzzer, 6V	13	S0129-1	Sub-Assy, Superstructure, with wellnuts and neoprene triangles
2	BT001-2	Battery, Holder, 9V	14	SC001-2	Screw, STL, RND, Phillips, #6-32 x 3/4" LG.
3	BT002-1	Battery, 9V	15	SC002-1	Screw, STL, PND, Phillips, #6-32 x 1" LG.
4	FA002-1	Fastener, Tie Wrap Mount	16	SC002-6	Screw, STL, PND, Phillips, #6-32 x 2" LG.
5	FA003-1	Fastener, Wire Harness	17	SC003-1	Screw, Plastite, PNH, Phillips, #4 Selftap, 3/8" LG.
6	FN001-1	Fan, 115 VAC, 50/60 Hz	18	SC004-1	Screw, Zinc STL, FLH, Phillips, #4 Selftap, 5/8" LG.
7	FN001-2	Fan, 220-240 VAC	19	SW002-3	Switch, Temperature, 165°F
8	HA001-1	Hardware, Spacer, #6 x 3/8	20	TE040-1	Terminal Block, 4 Poles
9	MOD15-1	Mount, Well-Nut, Rubber, 6-32 insert	21	VA003-9	Valve, Solenoid, Plastic, Equilization, 100VDC
10	MU043-1	Muffler, Plastic, Assembly	22	VA003-10	Valve, Solenoid, Plastic, Equilization, 200VDC
11	RN014-1	Resonator, Assy, Intake, Oxy Silent	23	WA002-8	Washer, Aluminum, Flat, #6
12	RN023-1	Resonator, Assy, Intake			

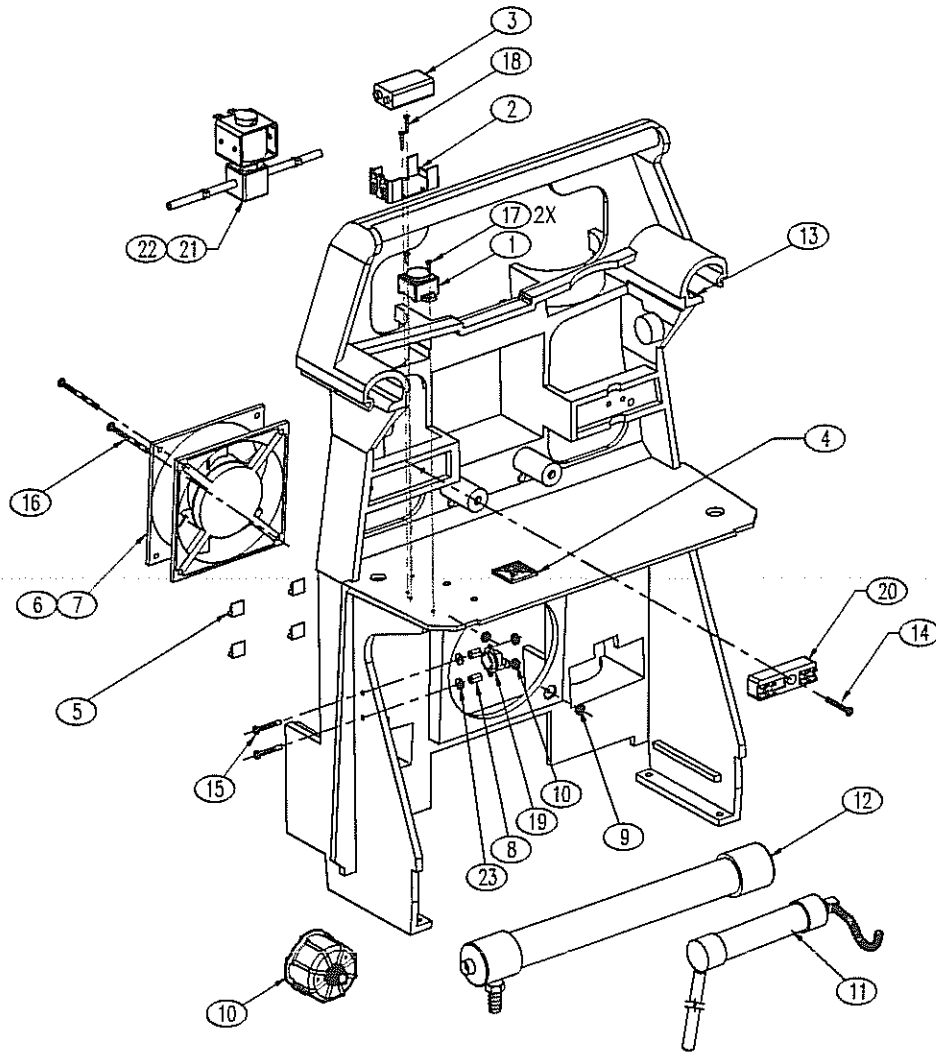


Figure A.2: Main Structure Assembly

Ref. No.	Part No.	Description
1	BE001-1R	Beds, Assy, NewLife, 120V/60Hz
2	BE001-7R	Beds, Assy, NewLife, 220V/50Hz
3	CA034-1	Cabinet, Assy, Back Panel
4	CA035-1	Cabinet, Assy, Front Panel, Newlife
5	CA035-7	Cabinet, Assy, Front Panel, Elite
6	CA036-4	Cabinet, Assy, Left or Right Panel
7	CS001-1	Caster, Die Cast Body, 3/8"-16 x 1" Stud
8	CD011-2	Cord, Power, Assy, Domestic Service, (120V)
9	CD011-4	Cord, Power, Assy, Euro, 4.0mm Pins, without strain relief
10	FI002-1	Filter, Foam, 15 PPI, 5.25 x 3.875 x 7/8
11	S0130-1	Sub-Assy, Cabinet, Roller Base

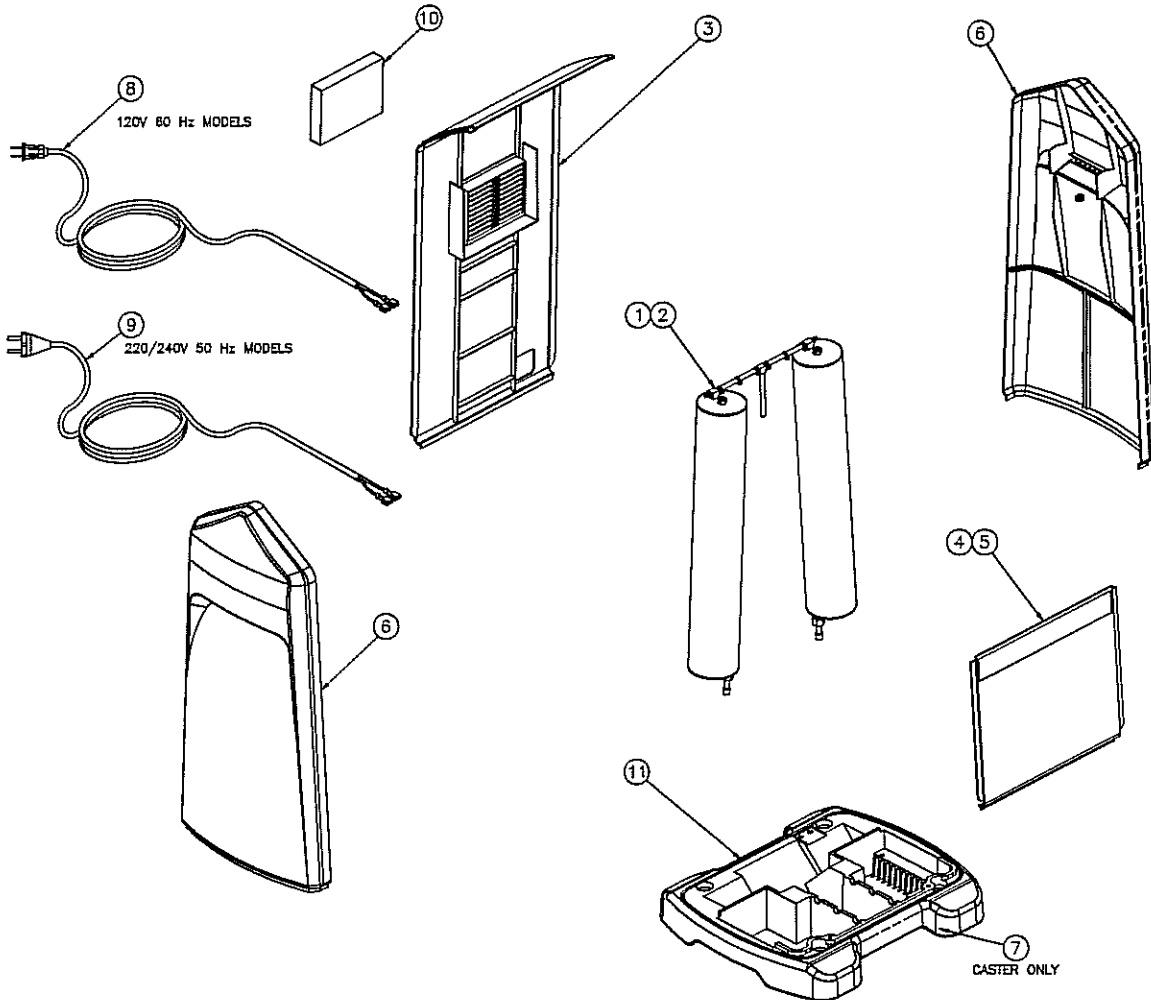
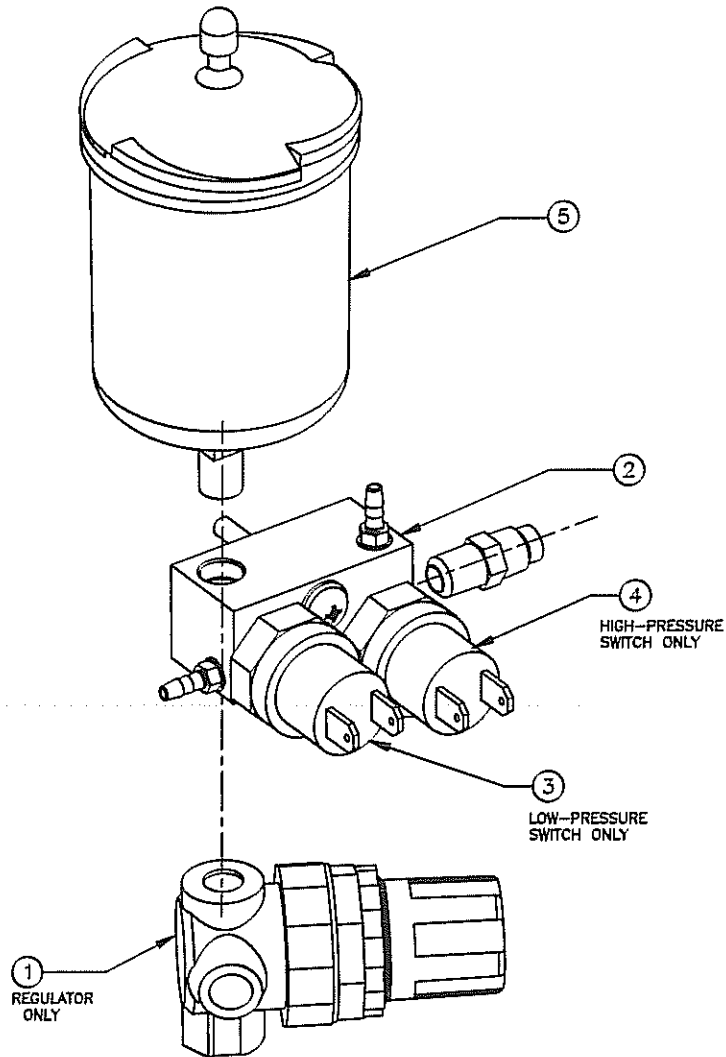


Figure A.3: Base and Cabinet Components

Ref. No.	Part No.	Description
1	RG072-2	Regulator, 4Lb Spring, 1/8" FPT
2	S0002-1	Sub-Assy, Test Block
3	SW001-1	Switch, Pressure, 1-5 Lbs, NC, Fasco
4	SW001-2	Switch, Pressure, 34-40 Lbs, NO, Fasco
5	TA089-3	Tank, Molded, Mixing Tank, w/ Paper Filter, Assy



**NOTE:** For Units with mixing tank directly assembled to Regulator use RG072-1 Regulator replacement

Figure A.4: Test Block Assembly

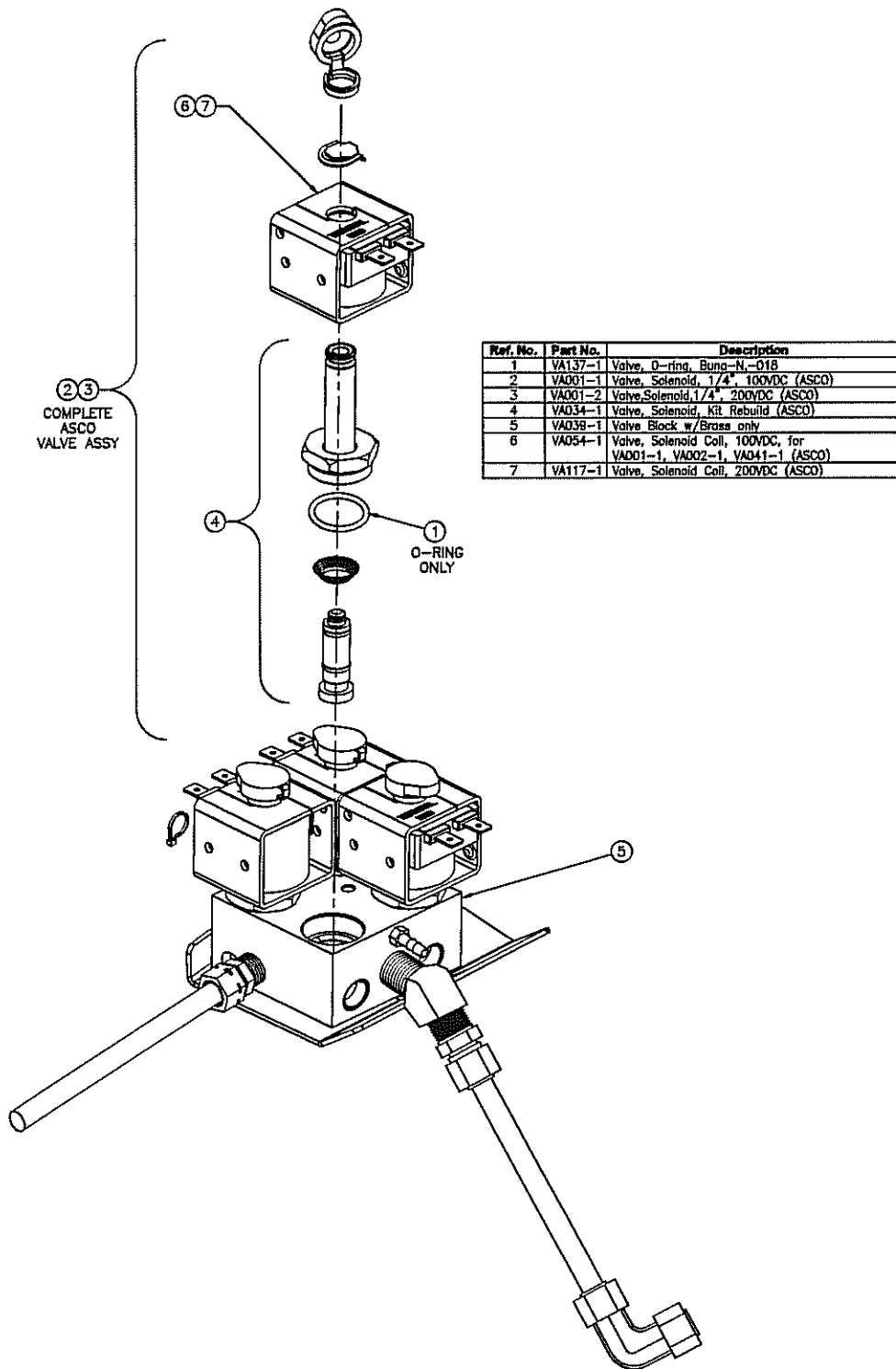


Figure A.5: Valve Block Assembly

Ref No.	Part No.	Description
1	KI070-1	Kit, Vibration, Spring Mount includes bumpers/capacitor bracket (not shown)
2	SC003-2	#6 Phillips 3/8" Long
3	WA002-8	#6 Washer
4	CL007-1	Clamp, Hose 3/8"
5A	HX002-1	Heat exchanger, Medserv
5B	HX002-2	Heat exchanger (Elite)
6	F0104-1	Fitting, brass, Comp. Align. 3/8"
7	VA005-1	Valve relief, 1/4 mpt
8	F0045-2	Fitting, brass, street elbow 1/4" mpt
9	VA008-1	Valve, plug 1/4 (EcoCheck only)
10	F0006-4	Fitting, Brass, DBL Barb 1/4" x 1/2"
11A	CO006-1R(T/N)	Compressor Assy, Complete 120/60
11B	CO006-4R(T/N)	Compressor Assy, Complete 220/50
11C	CO006-9R(T/N)	Compressor Assy, Complete 220/50 Dual 6
11D	CO006-10R(T/N)	Compressor Assy, Complete 120/60 Dual 6

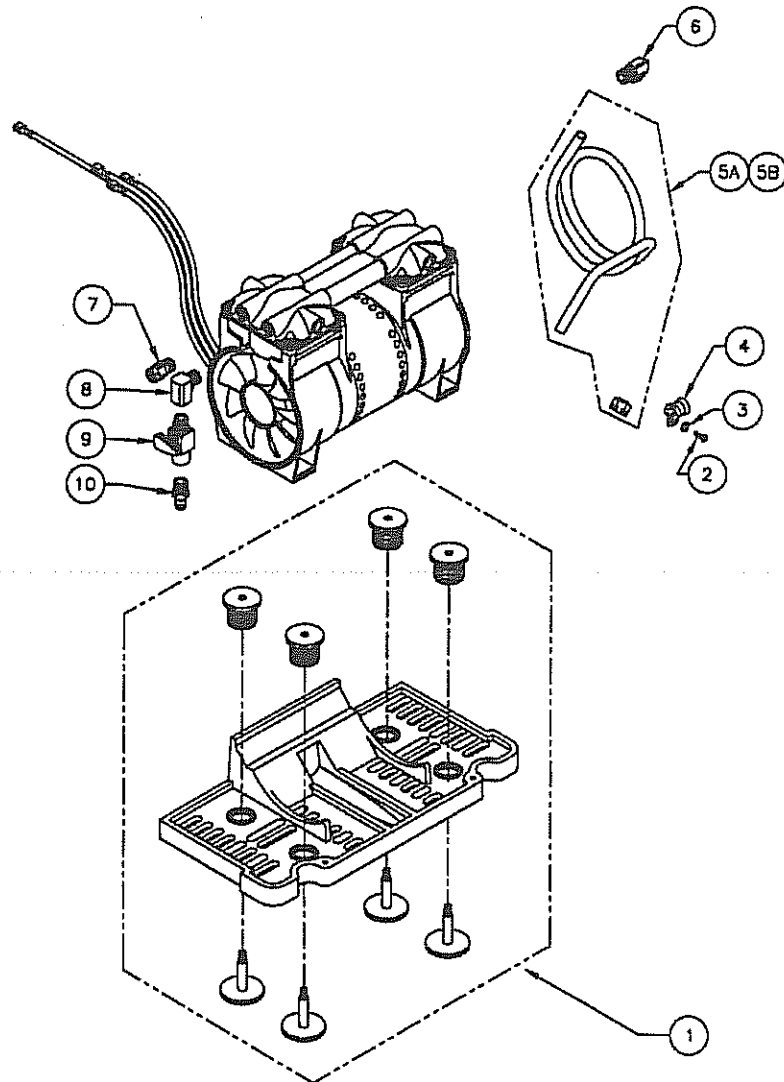


ILLUSTRATION DEPICTS COMPLETE  
COMPRESSOR ASSEMBLY LESS CAPACITOR

SEE ABOVE FOR AVAILABLE VERSIONS  
REFERENCE UNIT SERIAL NUMBER FOR  
CORRECT COMPRESSOR ASSEMBLY.

11A 11B 11C 11D

Figure A.6: Compressor Assembly

Ref. No.	Part No.	Description
1	BE002-1	Beds, Tube, 3" Dia, x 16" LG, Aluminum
2	BE004-1	Beds, Bottom Cap, 3" Dia, Aluminum
3	BE005-1	Beds, Cap Assy, Top, 3" Dia, Aluminum
4	BE011-1	Beds, Rods, SS, 1/4"-20 x 1/4"-20, 16.75" LG.
5	BE011-4	Beds, Rods, SS, 1/4"-20 x 1/4"-20, 18.75" LG.
6	BE058-1	Beds, Baffle, 2.47 inch
7	BE059-1	Beds, Piston Assy, Stationary, 3" Dia, Aluminum
8	BE071-1	Beds, Piston Assy, Moving, 3" Dia, Aluminum
9	F0103-1	Fitting, Brass, Tee Branch, Dbl Barb, 1/8"mpt x 1/4" OD x .170" ID, Tube
10	F0105-1	Fitting, Brass, Adapter, 1/4"mpt x 5/16 OD Compression Align
11	NU001-1	Nut, Hex, SS, 1/4"-20
12	OR001-1	O-Ring, -145, 2-9/16" ID, 2-3/4" OD, 3/32" CS, Buna-N
13	SP001-1	Spring, Compression, Helical, Music Wire, 20 Lb/In, 0.88", 2"

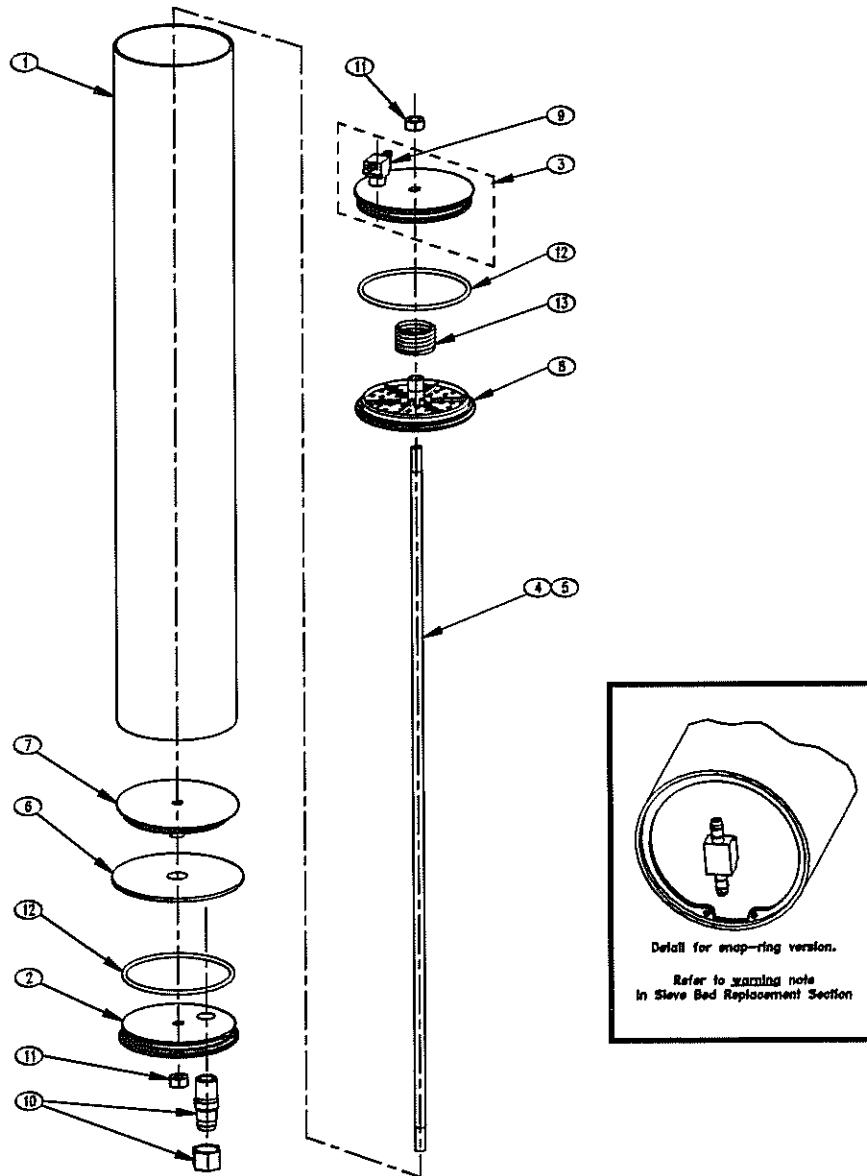


Figure A.7: Adsorption Bed Assembly